



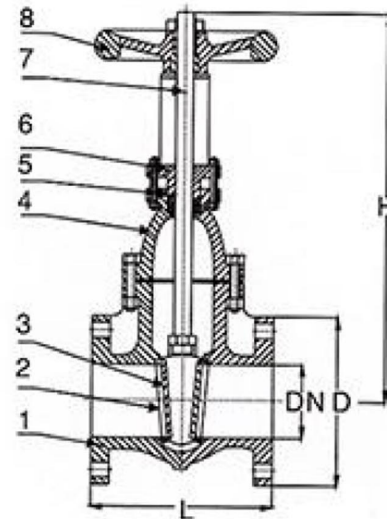
UNIMECH GROUP, MALAYSIA



A MEMBER OF UNIMECH GROUP, MALAYSIA

GATE VALVE FLANGED END 150LBS (RISING STEM)

ARV-801FE(A)-R



Technical Data

Features :

- Face to face is according to ANSI B16.10
- Flange drilled is according to ANSI B16.1
- Working Pressure : 150 PSI
- Test Pressure Shell : 24 kgf/cm²
- Seat : 17.5 kgf/cm²
- Working Temperature : -10 to 120°C

Material

No	PART	MATERIAL
1	BODY	CAST IRON
2	BONNET	CAST IRON
3	STEM	STAINLESS STEEL
4	DISC	CAST IRON
5	SEAT RING	CAST BRONZE / STAINLESS STEEL
6	GLAND	DUCTILE IRON
7	PACKING	NON ASBESTOS
8	HANDWHEEL	CAST IRON

Dimension in mm

SIZES	1.1/2"	2"	2.1/2"	3"	4"	5"	6"	8"	10"	12"
DN	40	50	65	80	100	125	150	200	250	300
L	165	178	190	203	230	254	267	292	330	356
H	254	267	279	305	406	457	559	711	889	1117
D	127	152	178	191	229	254	279	343	406	483

The contents of this literature are for informative purposes only. Arita is not responsible for suitability or compatibility of these products in relation to system requirement. For specific requirements, consult Arita or its distributors. Arita reserves the right to change or modify product design without prior notice.