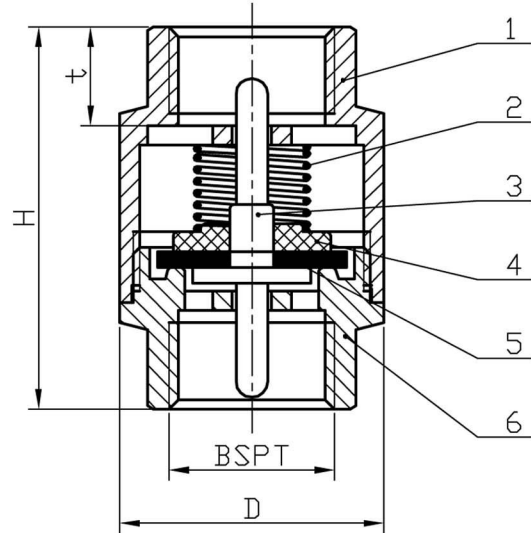


## Brass Spring Check Valve Screwed End BSPT



**Features :** The valve is designed for vertical, horizontal or angled installation for use in residential and commercial plumbing, sanitary, autoclaves, pump and compressed air systems.

**Application :** Water

**Working Temperature :** 100 °C

**Max. Pressure :** 16 bar

**Thread :** BSPT (BS 21)

### Dimension (mm)

| Size   | D    | t    | H    | Wt. (g) |
|--------|------|------|------|---------|
| 1/2"   | 33.5 | 12.5 | 48.5 | 120     |
| 3/4"   | 41   | 13.5 | 51.5 | 180     |
| 1"     | 46   | 14.5 | 59.5 | 250     |
| 1.1/4" | 56   | 17   | 67.5 | 370     |
| 1.1/2" | 64   | 17.5 | 72   | 490     |
| 2"     | 80.5 | 19   | 82   | 760     |
| 2.1/2" | 103  | 24   | 99   | 1400    |
| 3"     | 111  | 23   | 97.5 | 1681    |
| 4"     | 143  | 23   | 112  | 2862    |

### Material

| No. | Part Name    | Material        |
|-----|--------------|-----------------|
| 1   | Body         | Brass           |
| 2   | Spring       | Stainless Steel |
| 3   | Piston       | Nylon           |
| 4   | Spring-Board | PVC             |
| 5   | Seal Gasket  | NBR             |
| 6   | Bonnet       | Brass           |