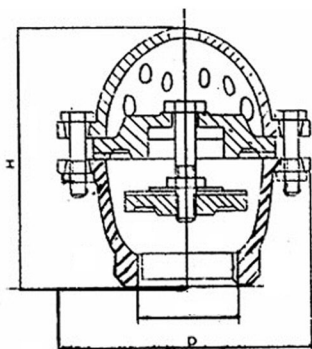


Cast Iron Foot Valve Screwed BSPT



Application :

The valve is fitted at the end of the pipe of water pump, which can avoid adverse current and prevent foreign substance from being drawn into pump. It is suitable for use on water.

Scope of Application

Nominal Pressure PN	6 bar
Strength Pressure	9 bar
Seal Test Pressure	10 bar
Suitable Temperature	< 60°C
Suitable Medium	water

Dimension

mm

SIZE	D	H	WT.(KG)
15	62	60	0.26
20	78	76	0.375
25	94	90	0.7
32	101	101	0.86
40	116	107	1.25
50	145	130	2.2
65	170	155	3.3
80	200	185	6.3
100	247	228.5	14.25